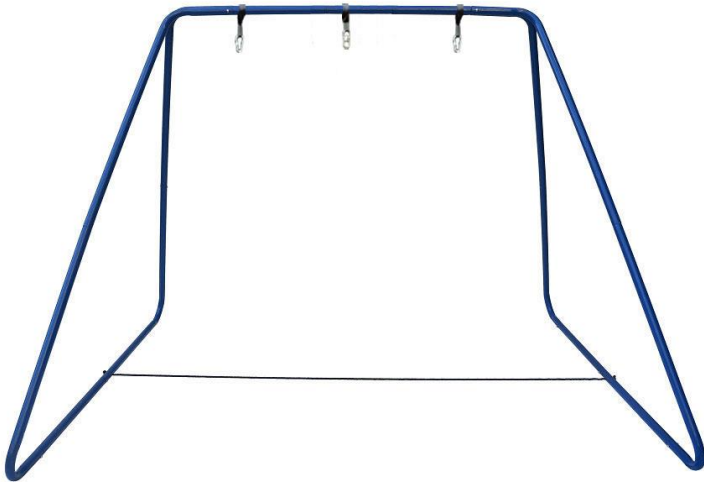


Safety and Assembly Instructions

Swing Set Stand



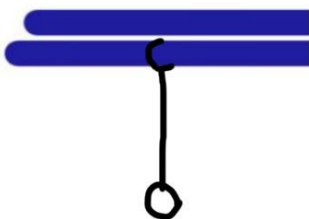
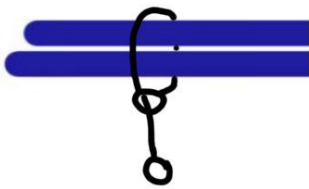
Weight Capacity: 150KGS

(If the swing capacity is lower, then you follow that limit instead)

Hanging Points Adjustable Horizontally

We hope you enjoy this swing set stand, matched with suitable swing(s).

Mini Straps Set-Up Method



Important

The mini strap must pass above both bars and then through the loop on its own end – this holds the strap tight against the poles.

Attaching by the red crossed methods may cause excessive rubbing of the strap.

Center Mini Straps Set-Up Method

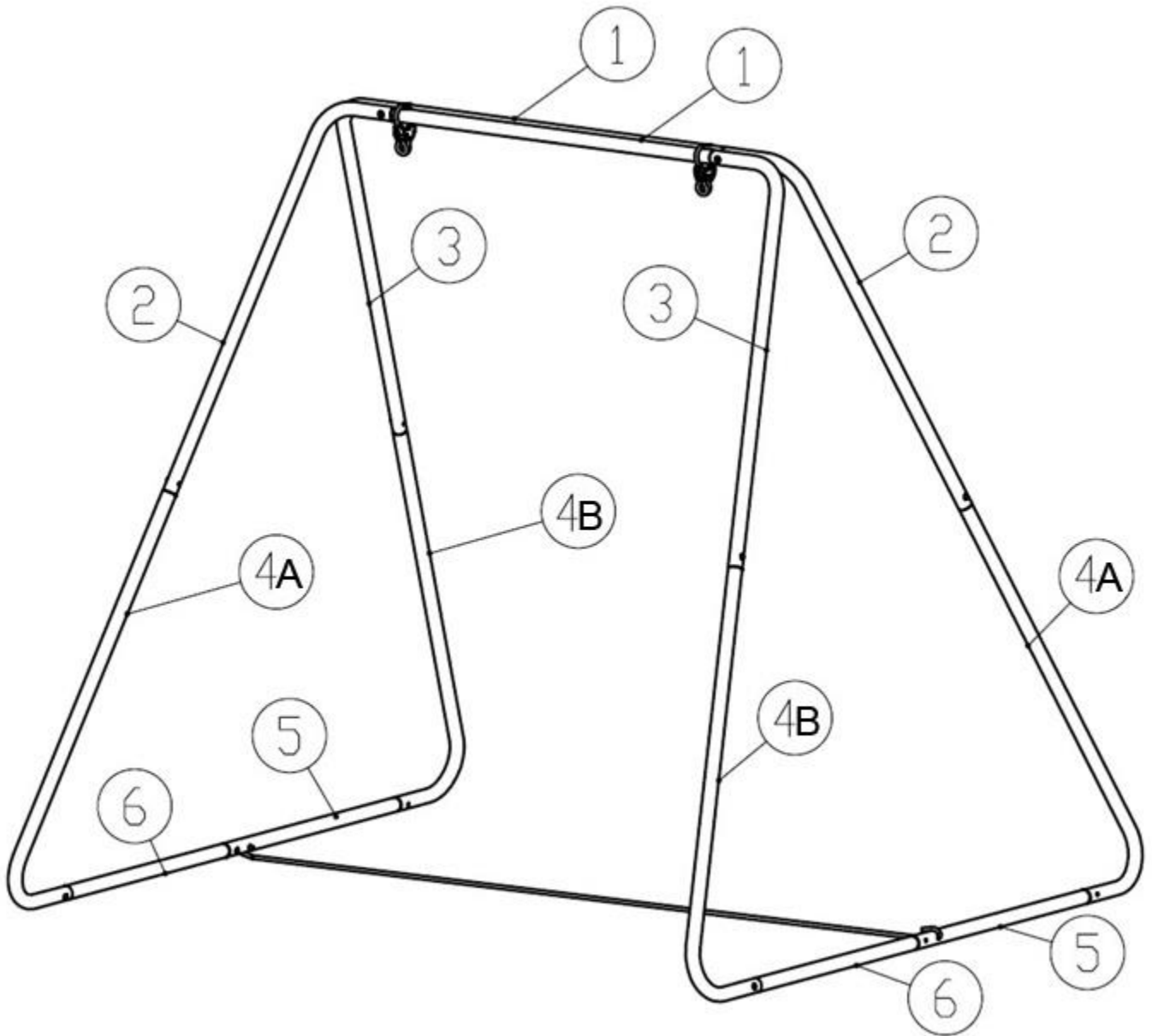
The straps themselves are attached in the same way as shown above.

But the center point should have 2 mini straps coming down to attach to a carabiner, then swivel, then carabiner.

This distributes the weight, and makes for the smoothest action.



Stand Diagram



Pieces List

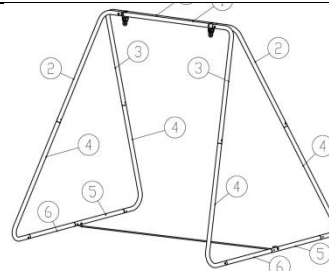
(Tube shapes, male/female ends and hole alignments visible)



Assembling your stand



1. Remove the tubes and accessories from the carton.



2. Refer to the stand diagram (previous page) before proceeding.



3. You'll find that the pieces are numbered to match the instructions diagram.



4. Check step 5 before step 4 is finished. Connect all of the metal pieces, and bolt them together. The top 2 bars (pictured) have long bolts go straight through.



5. Connect the rope between the 2 sides of the stand.



6. Attach the 4 mini-straps – 2 outer, and 2 in center, as per the method on page 1-2.

7. Stand assembly is finished.

If you have attachments like pegs, you can add those.

If Attaching a Pod



If you find that the pod hangs too low when attaching the mini-straps by their usual method, then the following technique can raise the pod higher.



1. Use this alternative method for attaching the mini-straps – having the carabiner attach to both ends of the mini-strap.



2. Instead of attaching to the O-ring of the pod, have the mini-strap pass through the canvas of the pod, where the O-ring passes through.



3. Once the mini-strap is passing through the canvas of the pod and also attached to the stand, the carabiner should sit inside the canvas area, and the O-ring face down (to avoid them rubbing on the stand).

That should have raised the pod about 6 inches higher.

Safety instructions

When connecting a swing, the swing should be adjusted to be at a safe height that is easy to get on and off.

The stand should be placed on a flat surface free of dangerous objects eg. toys on the ground or other objects that can be tripped over, or nearby objects to bump into. A fall from height or onto a hard surface can result in serious injury to the equipment user; therefore it should be set up and used in a safe manner.

Adult supervision is required.

Important Safety Notes

- Double check that all bolts and connections are tight.
- Supervise any children using the stand, particularly: make sure they can get on and off safely, and make sure they use it in a safe manner.

It is important for adults to instruct children NOT to:

- Walk close to, in front of, behind, or between moving items.
- Get on or off a swing while it is in motion.
- Attach additional items to the stand or swing.
- Wear a bicycle or sport helmet while on a swing.
- Stand or jump on a swing or hang from the stand. Distributed weight is best eg. sitting.

Maintaining the Stand

At the beginning of each play season, adults should

- Check all tubing, carabiners and fittings, making sure the setup is strong and undamaged.
- Replace defective parts in accordance with the manufacture's instruction.

At the end of the each play season, or when the weather is bad, adults should:

- While the stand is weather resistant from powder coating, providing some weather protection is still best, especially when leaving it for prolonged periods. The swing that you use with the stand may be more susceptible to weather than the stand (extreme or prolonged UV exposure, dirt or rain), so you may decide to keep the swing under cover when not in use while leaving the stand in place.

Please retain these instructions for future use.