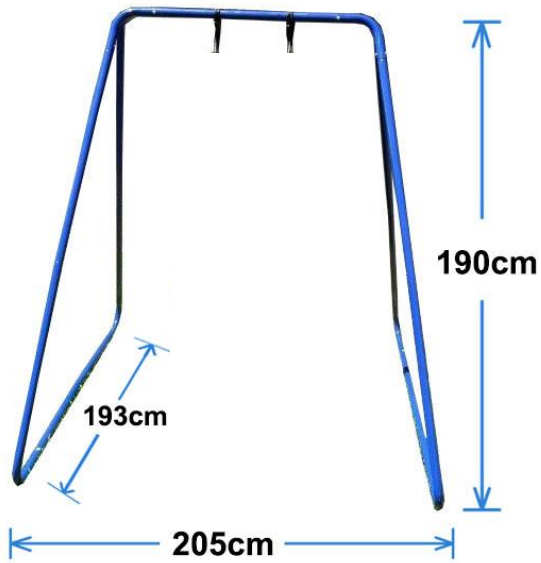


# Safety and Assembly Instructions



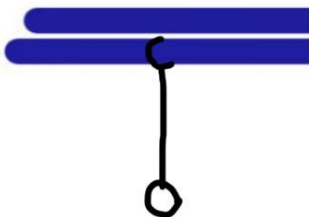
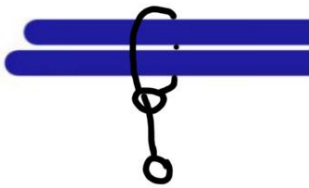
## Medium Swing Set Stand

Weight Capacity: 150kg

Hanging Points Adjustable Horizontally

We hope you enjoy this swing set stand, matched with suitable swing(s).

## Mini Straps Set-Up Method



### Important

The mini strap must pass above both bars and then through the loop on its own end – this holds the strap tight against the poles.

Attaching by the red crossed methods may cause excessive rubbing of the strap.

## Center Mini Straps Set-Up Method

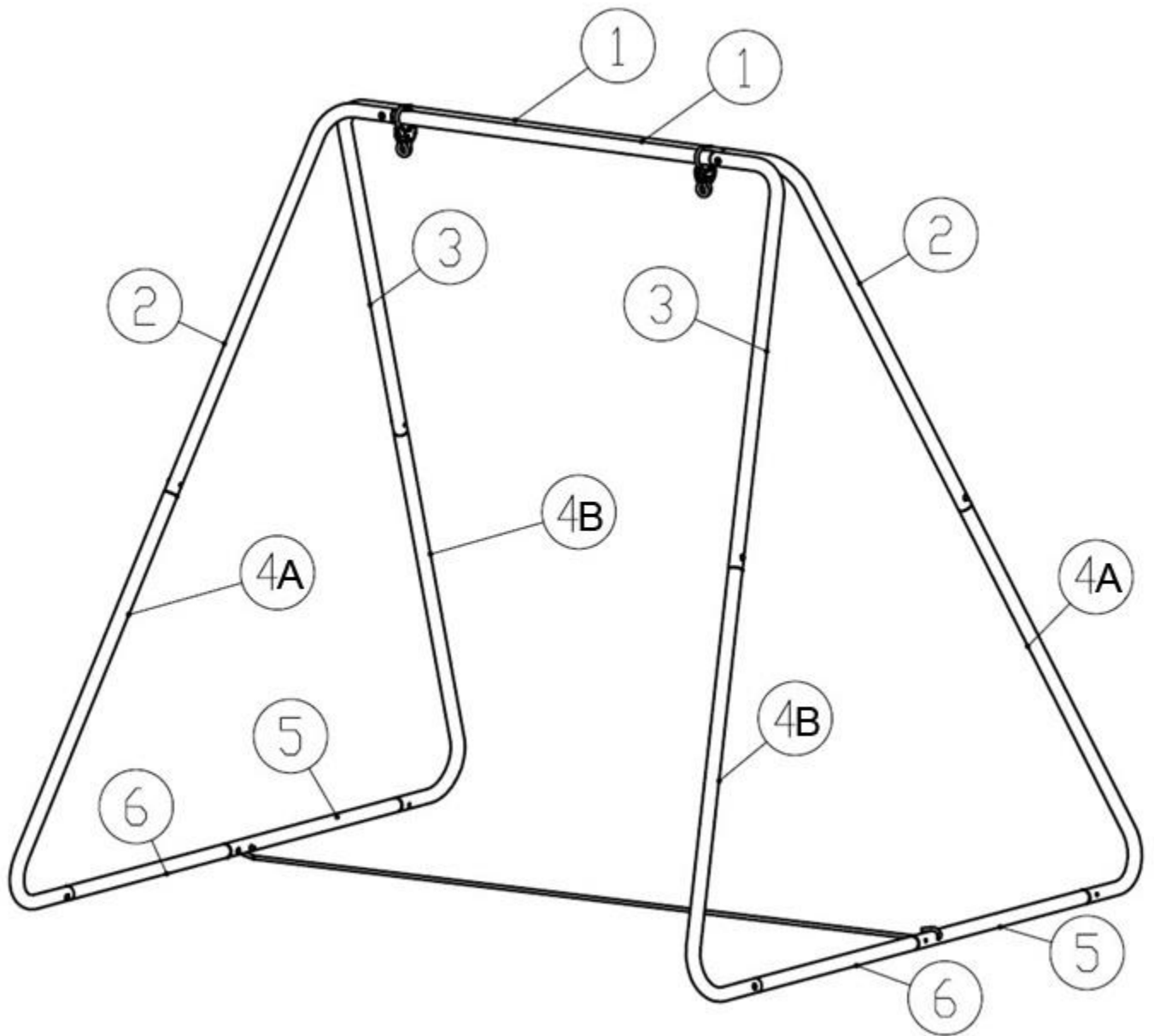
The straps themselves are attached in the same way as shown above.

But the center point should have 2 mini straps coming down to attach to a carabiner, then swivel, then carabiner.

This distributes the weight, and makes for the smoothest action.



# Stand Diagram



# Pieces List

(Tube shapes, male/female ends and hole alignments visible)



# Assembling Your Stand

Following the below order of setup makes the process smoother, and easier to insert the bolts.

## Step by Step

1. For each #4 pole, check whether attaching the #2 or #3 will have the bolt hole running parallel to the ground (as per the green line, **not** the orange line). If the bolt hole is parallel to the ground, then bolt them together.

Repeat for each of the 4x #4 poles.



2. With your 4 groups of bolted together poles from above, take a matching pair as per below.



3. Insert both #1 poles, and pass the long bolts directly through the parallel poles (green line).



4. Use a #5 and #6 to complete the triangle, making sure to pass the cross-rope onto the poles before doing so.



5. Form another matching pair, like step 2.



6. Attach these poles to the #1's that form the top cross-bar, using the long bolts.



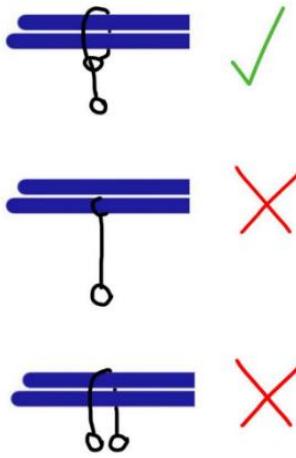
7. Use the remaining #5 and #6 to complete the triangle, making sure to pass the cross-ropes onto the poles before doing so.



8. Tighten the bolts and you're ready to attach the mini straps.
9. The mini straps are passed over the cross-bar, then the carabiner (attached to one end of the strap) passes through the loop on the other end of the mini strap.



10. **Avoid:** Avoid attaching using the red crossed methods below. It would cause excessive rubbing of the straps.



11. If attaching a premium swivel, then the below method is suggested. 2x mini straps are set up near each other, then the swivel and its large carabiners attach to the carabiners of both mini straps. This is the safest and most smooth spinning method.





# Safety instructions

When connecting a swing, the swing should be adjusted to be at a safe height that is easy to get on and off.

The stand should be placed on a flat surface free of dangerous objects eg. toys on the ground or other objects that can be tripped over, or nearby objects to bump into. A fall from height or onto a hard surface can result in serious injury to the equipment user; therefore it should be set up and used in a safe manner.

Adult supervision is required.

## Important Safety Notes

- Double check that all bolts and connections are tight.
- Supervise any children using the stand, particularly: make sure they can get on and off safely, and make sure they use it in a safe manner.

## It is important for adults to instruct children NOT to:

- Walk close to, in front of, behind, or between moving items.
- Get on or off a swing while it is in motion.
- Attach additional items to the stand or swing.
- Wear a bicycle or sport helmet while on a swing.
- Stand or jump on a swing or hang from the stand. Distributed weight is best eg. sitting.

## Maintaining the Stand

At the beginning of each play season, adults should

- Check all tubing, carabiners and fittings, making sure the setup is strong and undamaged.
- Replace defective parts in accordance with the manufacture's instruction.

At the end of the each play season, or when the weather is bad, adults should:

- While the stand is weather resistant from powder coating, providing some weather protection is still best, especially when leaving it for prolonged periods. The swing that you use with the stand may be more susceptible to weather than the stand (extreme or prolonged UV exposure, dirt or rain), so you may decide to keep the swing under cover when not in use while leaving the stand in place.

**Please retain these instructions for future use.**