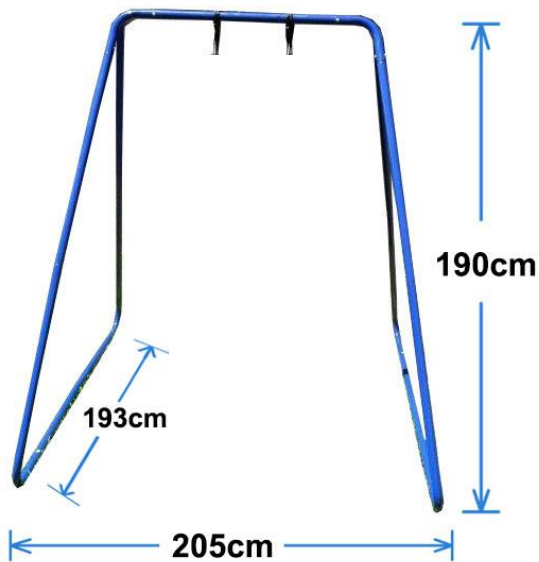


Safety and Assembly Instructions

Swing Set Stand



Weight Capacity: 150kg (suggested)

Hanging Points Adjustable Horizontally

We hope you enjoy this swing set stand, matched with suitable swing(s).

Mini Straps Set-Up Method



Method 1

Suggested

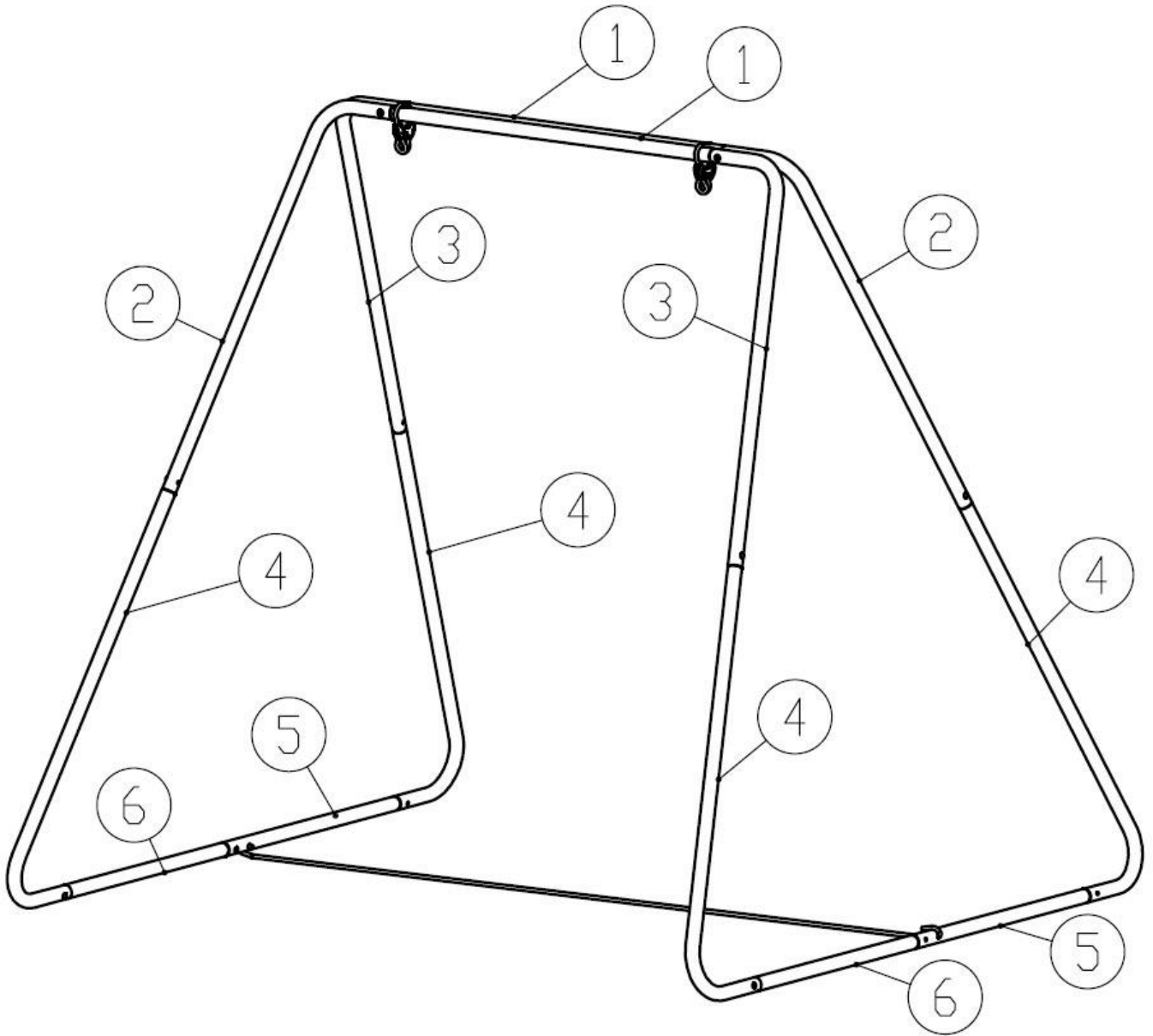


Method 2

If method 1 doesn't suit.

- **Method 1 is suggested, with the mini-strap passing over the bars and through the loop on its end.**
- **Method 2 with both ends attaching to the carabiner is the alternative if option 1 didn't suit.**

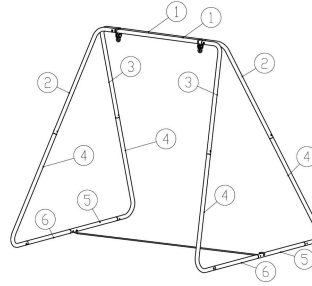
Stand Diagram



Assembling your stand



1. Remove the tubes and accessories from the carton.



2. Refer to the stand diagram (previous page) before proceeding.



3. You'll find that the pieces are numbered to match the instructions diagram.



4. Connect all of the metal pieces, and bolt them together. In case you have trouble getting the holes to align, try rotating the piece or swapping the identical pieces, eg. there are two #5 pieces. The bolt connecting the top bars is pictured.



5. Attach the 3 mini-straps and position them where you prefer. The suggested method is to have the mini strap go over the bars and through the loop on the end, then attach the carabiner.



6. We like it set up like this, with the swivel strap in the middle, in case of attaching a single-point swing, or spinning.



7. Stand assembly is finished. You can attach your swings.

Safety instructions

When connecting a swing, the swing should be adjusted to be at a safe height that is easy to get on and off.

The stand should be placed on a flat surface free of dangerous objects eg. toys on the ground or other objects that can be tripped over, or nearby objects to bump into. A fall from height or onto a hard surface can result in serious injury to the equipment user; therefore it should be set up and used in a safe manner.

Adult supervision is required.

Important Safety Notes

- Double check that all bolts and connections are tight.
- Supervise any children using the stand, particularly: make sure they can get on and off safely, and make sure they use it in a safe manner.

It is important for adults to instruct children NOT to:

- Walk close to, in front of, behind, or between moving items.
- Get on or off a swing while it is in motion.
- Attach additional items to the stand or swing.
- Wear a bicycle or sport helmet while on a swing.
- Stand or jump on a swing or hang from the stand. Distributed weight is best eg. sitting.

Maintaining the Stand

At the beginning of each play season, adults should

- Check all tubing, carabiners and fittings, making sure the setup is strong and undamaged.
- Replace defective parts in accordance with the manufacture's instruction.

At the end of the each play season, or when the weather is bad, adults should:

- While the stand is weather resistant from powder coating, providing some weather protection is still best, especially when leaving it for prolonged periods. The swing that you use with the stand may be more susceptible to weather than the stand (extreme or prolonged UV exposure, dirt or rain), so you may decide to keep the swing under cover when not in use while leaving the stand in place.

Please retain these instructions for future use.